

FUTV438A IP Mux & Modulating Module



Outline

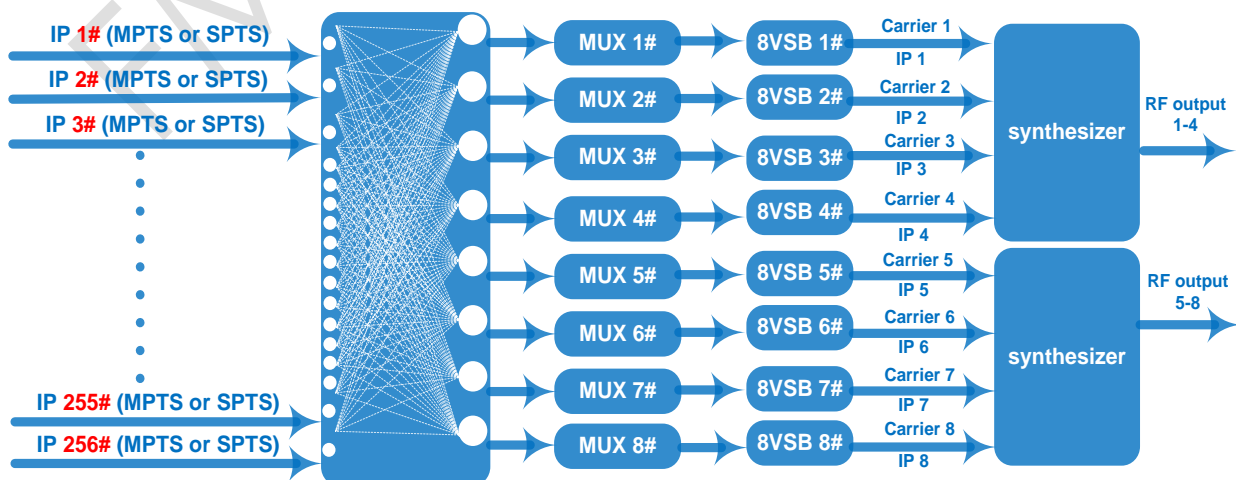
FUTV438A IP Mux and modulation module is the latest generation Mux-modulating all-in-one device. Its modular design with each daughter card containing 8 multiplexing modules and 8 ATSC-T modulating modules makes each daughter card able to work stand-alone and receive the UDP format TS through GE port. It can support up to 256 different IP address or port number and output adjacent channel carrier (40M~960M) through the two RF output interfaces. Additionally, 1U chassis supports up to 3 cards (24 channels mux-modulation) while the 4U chassis supports up to 12 modules (96 channels mux-modulation).

This FUTV438A IP Mux and modulation module has adopted slot structure to allow maximum 3 FUTV438A cards to insert one device simultaneously. To draw a conclusion, its excellent integrated level, powerful performance and low cost make it adequate for the new generation CATV system.

Features

- Dual power supply
- 1 GE input, RJ45 interface or SFP
- Supports up to 256 channels TS over UDP, MPTS or SPTS
- Supports unicast and multicast, supports IGMP v2/v3
- Max 840Mbps for all input
- Supports 8 channels re-multiplexing and MPTS/SPTS multiplexing
- Supports accurate PCR adjusting
- Supports PID filtering, remapping and PSI/SI editing
- Supports up to 180 PIDS remapping per channel
- 8 adjacent ATSC-T 8VSB carriers output ,compliant to ATSC A/53 standard
- RF output frequency range: 40~960Mhz, 1Khz stepping
- RF output level: -16~0dbm(per 8VSB carrier), 0.5db stepping
- Excellent RF performance, MER \geq 40db
- Support NMS/SNMP management
- Modular design,1U chassis support 3 modules , 4U chassis support 12 modules

Principle Chart



Specifications

Input	Interface	1GE (RJ45) or 1 SFP input port, hot backup
	Transport Protocol	TS over UDP, unicast and multicast, IGMP V2/V3
	Transmission Code	Max 840Mbps for all channels
MUX	Input Channel	256
	Output Channel	8
	Max PIDs	180 per channel
	Functions	PID remapping(auto/manually optional)
PCR accurate adjusting		
PSI/SI table automatically generating		
Modulation Parameters	Channel	8
	Modulation Standard	ATSC A/ 53
	Constellation	8VSB
	FEC	RS (208 188) +Trellis
RF Output	Interface	2 F typed output port for 8 adjacent carriers, 50Ohm impedance
	RF Range	40~960MHz, 1kHz stepping
	Output Level	-16~0dbm(per 8VSB carrier), 0.5db stepping
	MER	>= 40dB
	ACL	-55 dBc
System	Network management software (NMS/SNMP) supporting	
General	Demission (WxLxH)	630mm*440mm*44.5mm
	Weight	9kgs

	Temperature	0~45(operation), -20~80 (storage)
	Power Supply	AC 100V+/-10%, 50/60Hz or AC 220V+/-10%, 50/60Hz
	Consumption	15.4W

FMUSER 广州汉亭